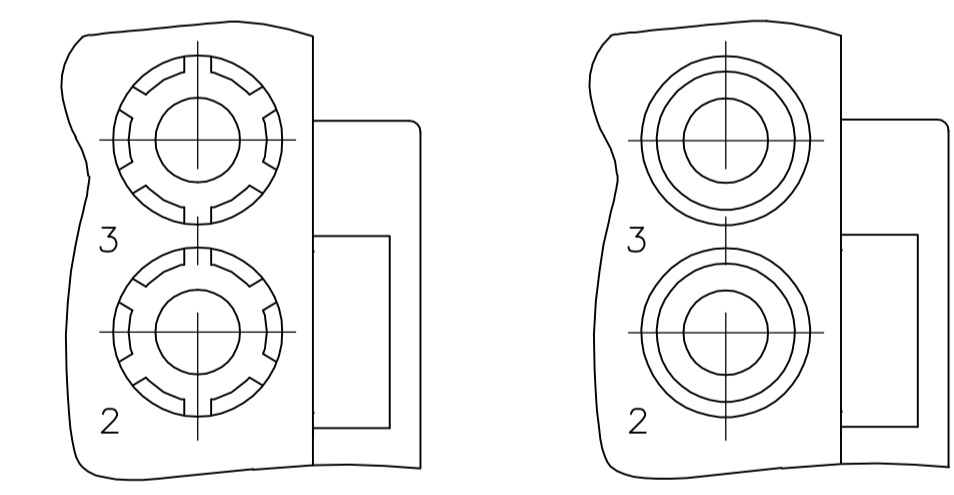
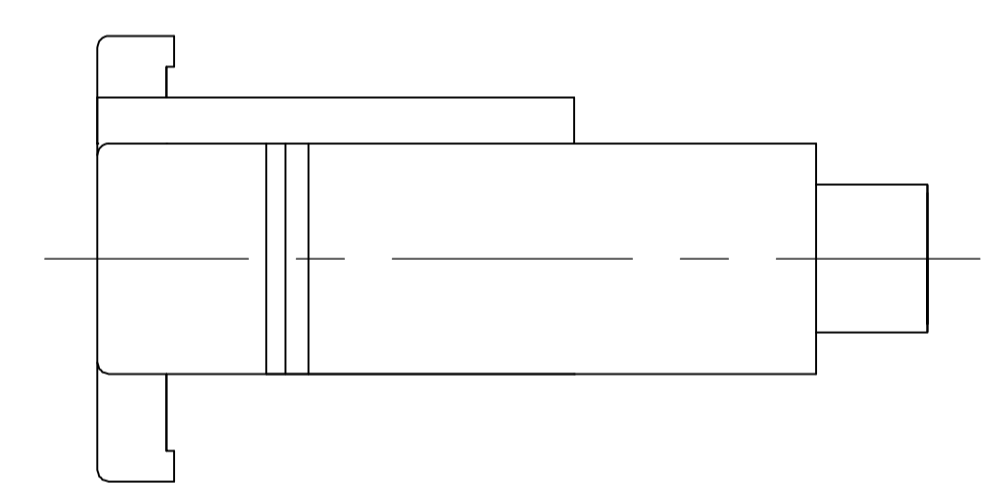
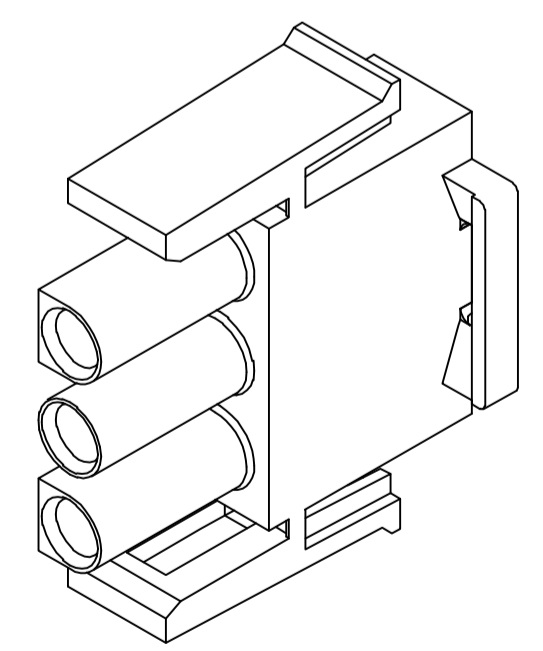


1. MATES WITH APPROPRIATE UNIVERSAL MATE-N-LOK™ CAP OR HEADER.
2. SMALL NICKS ARE PERMITTED ON THE CIRCUIT TOWERS WHICH COULD INCREASE THE INITIAL HOUSING MATING FORCE BY UP TO 4.4 NEWTONS [1.0 LBS]. NO INDIVIDUAL NICKED TOWER SHALL INCREASE THIS FORCE BY OVER 2.2 NEWTONS [.5 LBS].
3. DIMENSION INDICATED IS AS MOLDED. ADDITIONAL GROWTH DUE TO SUBSEQUENT MOISTURE ABSORPTION MAY OCCUR.
4. FOUR RIBS EQUALLY SPACED, NO SPECIFIC ORIENTATION. NO RIBS OR SIX RIBS EQUALLY SPACED, NO SPECIFIC ORIENTATION, OPTIONAL.
5. UNDERWRITERS RECOGNIZED COMPONENT LOGO AND CSA CERTIFICATION LOGO TO BE LOCATED ONCE EACH ON SIDE OF HOUSING.



DETAIL A
OPTIONAL CONSTRUCTION



3-DIMENSIONAL MODEL
NTS

BLACK	1-480700-9
GREY	1-480700-8
BLUE	1-480700-6
GREEN	1-480700-5
YELLOW	1-480700-4
ORANGE	1-480700-3
RED	1-480700-2
BROWN	1-480700-1
NATURAL	1-480700-0
COLOR	PART NUMBER

27.43	1.080
20.32	.800
14.73	.580
11.68	.460
7.62	.300
0.38	.015
0.13	.005
MM	IN

CONVERSION TABLE

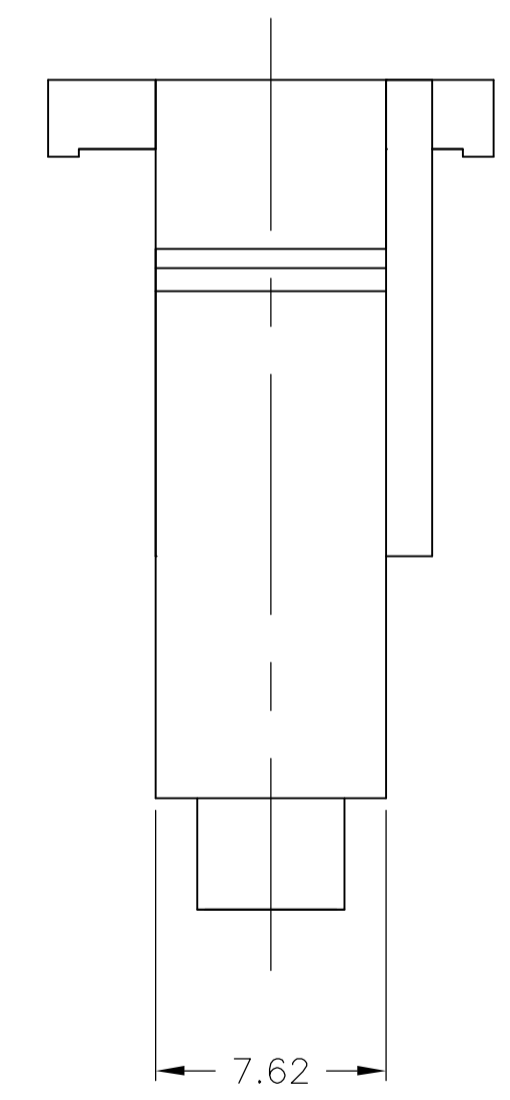
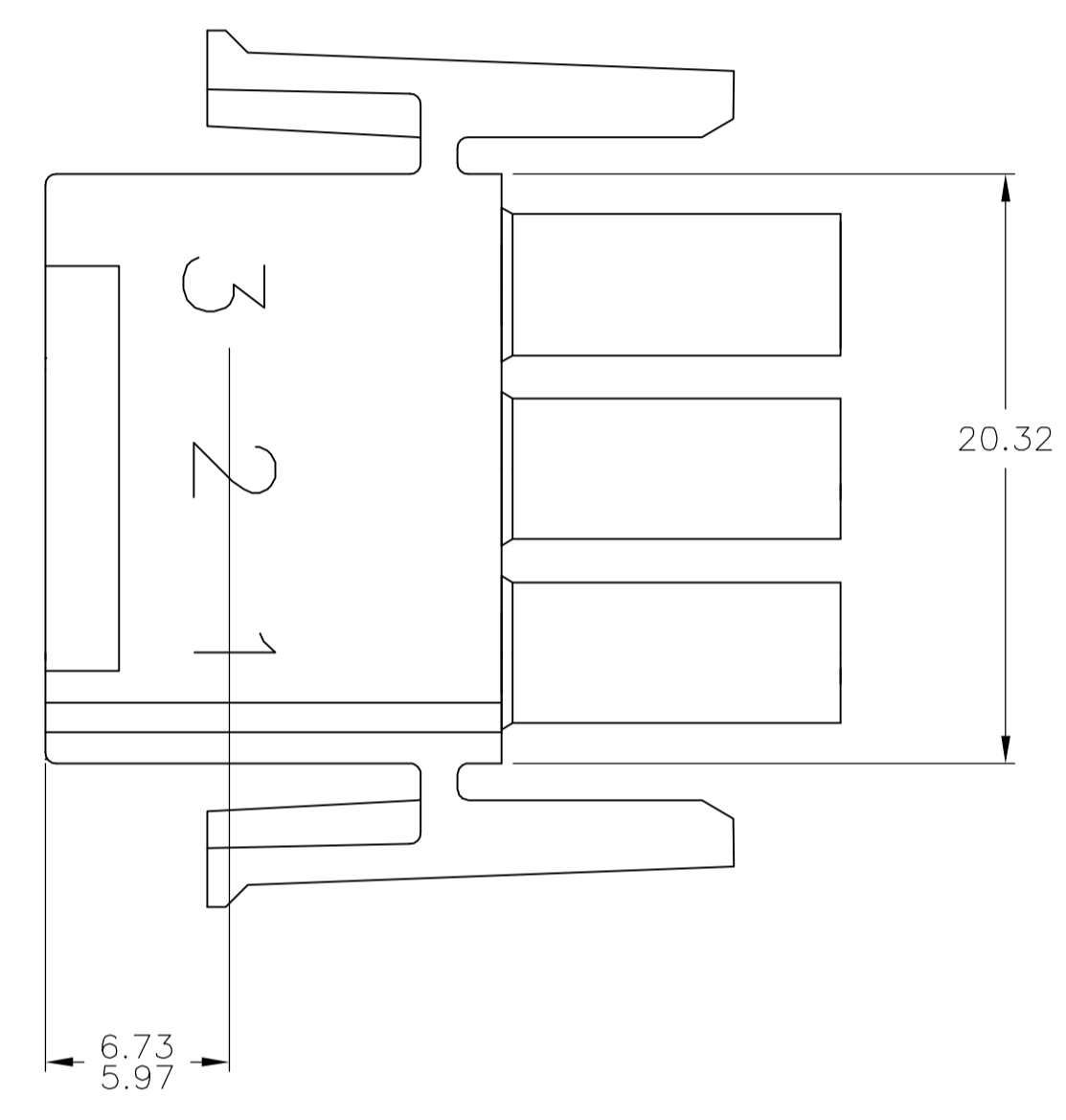
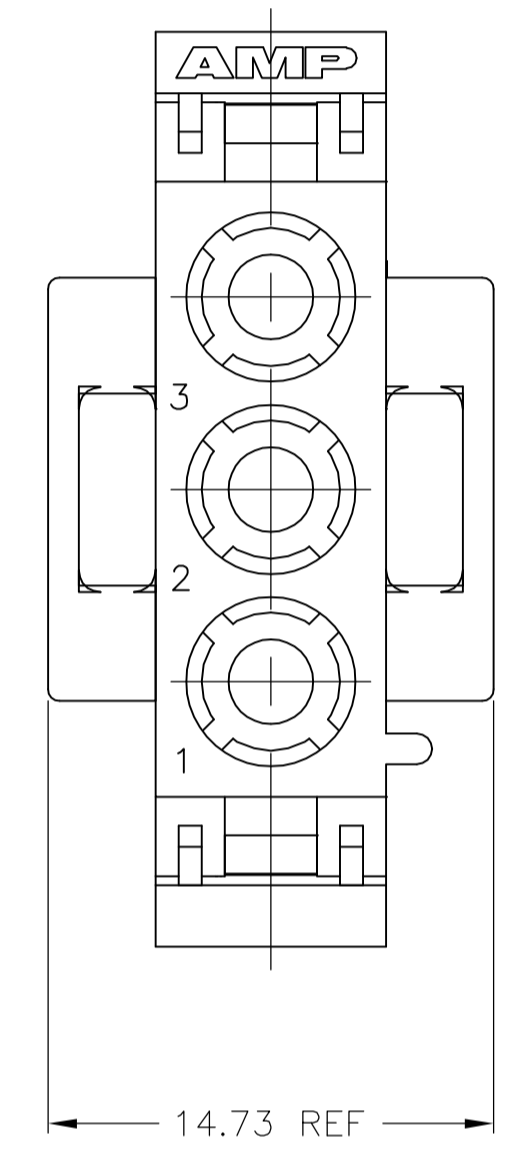
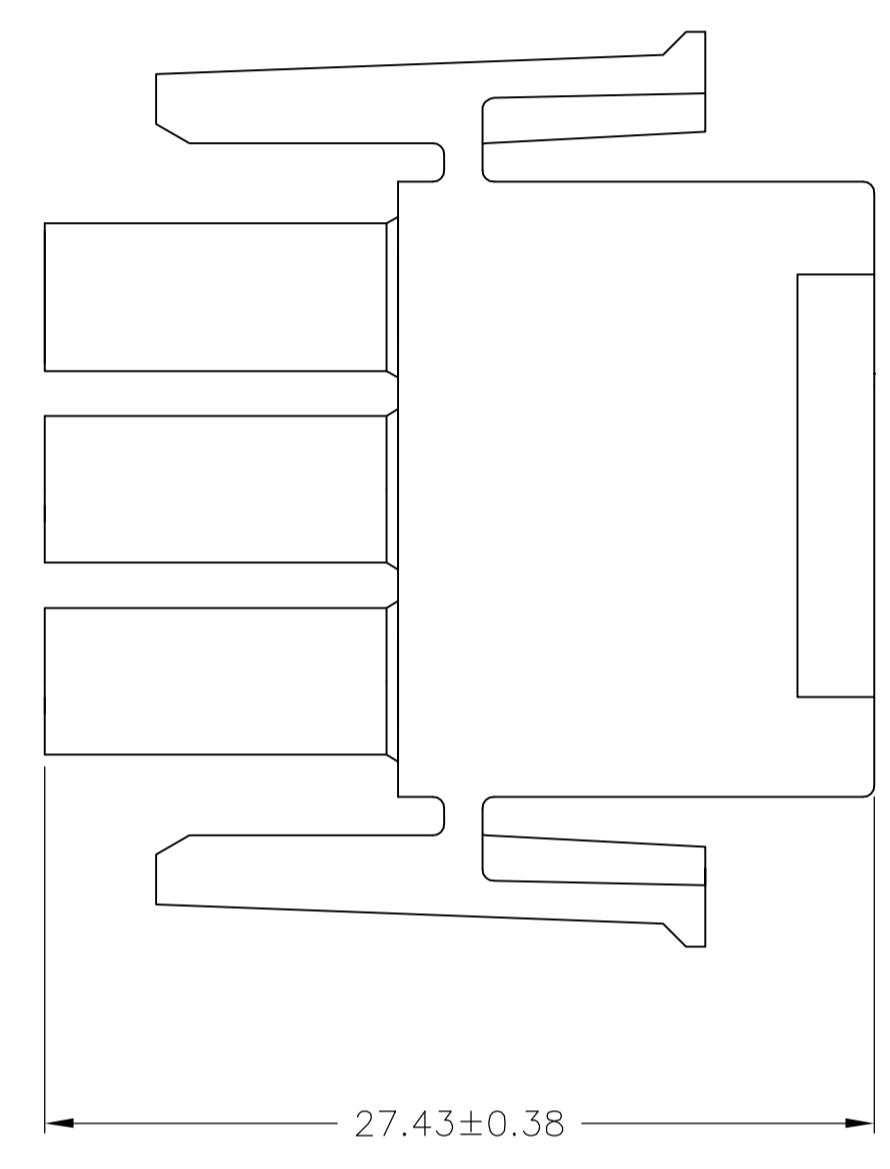
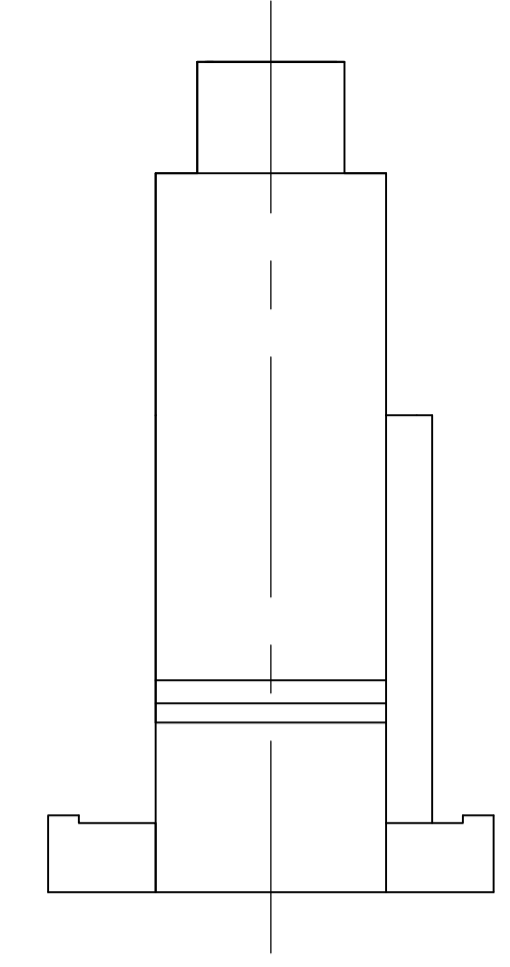
METRIC

THIS DRAWING IS A CONTROLLED DOCUMENT.

DIMENSIONS:	TOLERANCES UNLESS OTHERWISE SPECIFIED:	0 PLC ± -	1 PLC ± -	2 PLC ± 0.13	3 PLC ± -	4 PLC ± -	ANGLES ± 0° 30'	FINISH -
-------------	--	-----------	-----------	--------------	-----------	-----------	-----------------	----------

DIN R VESTAL 18JAN95	CHK R SWING 18JAN95	APVD D SELF 18JAN95	NAME
Tyco Electronics Corporation Harrisburg, Pa 17105-3608			PLUG, 3 CIRCUIT, UNIVERSAL MATE-N-LOK(TM)
MATERIAL NYLON, UL 94V-2	WEIGHT -	SIZE A1	CAE CODE 00779
CUSTOMER DRAWING		SCALE 4:1	SHEET 1 OF 2

LOC		DIST		REVISIONS			
P	LTR	DESCRIPTION	DATE	DNW	APVD		
CM	53	SEE SHEET 1	-	-	-	-	-



1. STAMP NUMBERS 3.18 HIGH AT WIRE END OF HOUSING (12 POINT DAVID TYPE).
2. CHARACTERS TO BE POSITIONED ON HOUSING TO BE READ FROM WIRE END ONLY.
3. VIOLET, BLACK, BROWN AND BLUE COLORED BLOCKS TO BE STAMPED WITH WHITE CHARACTERS. ALL OTHER COLORED BLOCKS TO BE STAMPED WITH BLACK CHARACTERS.

MM	IN	MM	IN
6.73	.265	-	-
5.97	.235	27.43	1.080
3.18	.125	20.32	.800
0.38	.015	14.73	.580
0.13	.005	7.62	.300

CONVERSION TABLE

NATURAL	2-480700-0
COLOR	PART NUMBER

THIS DRAWING IS A CONTROLLED DOCUMENT.		DIN R VESTAL 18JAN95		Tyco Electronics Corporation Harrisburg, Pa 17105-3608	
DIMENSIONS: mm		CHK R SWING 18JAN95		APVD D SELF 18JAN95	NAME
TOLERANCES UNLESS OTHERWISE SPECIFIED:		0 PLC ± -		PRODUCT SPEC	
1 PLC ± -		2 PLC ± 0.13		APPLICATION SPEC	
3 PLC ± -		4 PLC ± -		SIZE	
ANGLES ± ± 0° 30'		FINISH -		WEIGHT	
MATERIAL NYLON, UL 94V-2		CUSTOMER DRAWING		SCALE 4:1	
		RESTRICTED TO		SHEET 2 OF 2	
		DRAWING NO		REV AR	
		A1 00779 C=480700			

METRIC